



shelf//track

DROP-IN  
CARTON FLOW  
TO REPLACE  
PLASTIC  
WHEEL RAILS

Pick Smarter. Pick Better. Pick UNEX.



ShelfTrack from UNEX replaces unreliable plastic wheel rails with a durable carton flow system that drops easily into existing racks and shelves.

**Benefits**

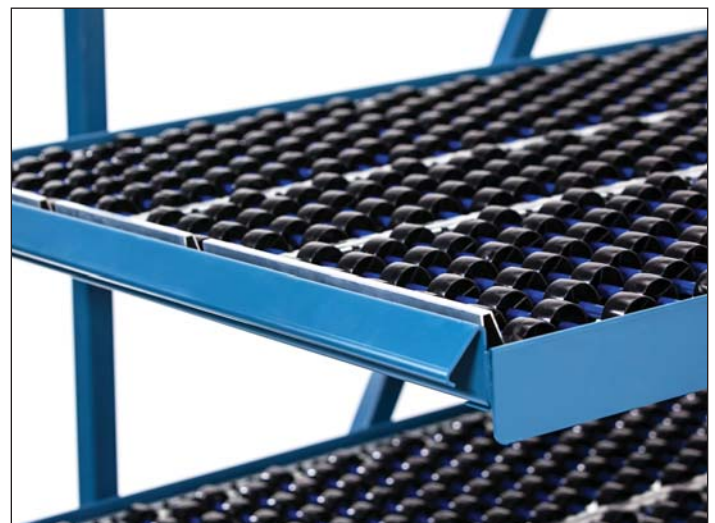
- Eliminates hang-ups
- Low maintenance or replacement costs
- Unrivaled flow
- Works with any shelf and accessories
- Drop-in design delivers an efficient and accessible pick point for workers

**Flow options**

- **Roller lanes** provide 300% more surface area compared to plastic wheel rails to reduce imprinting and eliminate product hang-ups
- **Wheel beds** increase flexibility with slotting, providing 90% left to right bay usage.



NO MORE PLASTIC WHEEL FAILURE!





## Roller Lane and wheel bed comparison



### ShelfTrack Lane and Bed Shared Features

- Drop-in design for easy installation
- Freezer/cooler rated
- Efficiently handles cartons and totes
- Customizable end treatments that attach easily to any shelf
- Customizable end treatments that attach easily to any pallet rack setup
- Capacity up to 50 lbs per foot, depending on shelf capacity
- Available in lengths cut to the quarter inch
- 7-year warranty

### ShelfTrack Lane Features

- Provides 300% more product contact than plastic wheel
- No imprinting or hang-ups
- Optimized for product stacking
- The original carton flow track



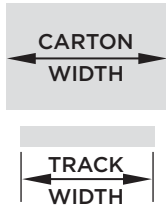
### ShelfTrack Bed Features

- Maximum flexibility left-to-right for reslotting
- Shark fin infed guides ease replenishment
- Hex hub wheel design for optimal flow
- The latest innovation from the Pickologists at UNEX

### Selecting the Correct Track Width

#### SHELFTRACK LANE WIDTH GUIDE

**ShelfTrack Lane** is available in 6 different widths at varying capacities. Product width will be the primary factor in determining lane width. Product can overhang the lane, up to 3" on either side and maintain flow.



SHELFTRACK WIDTH	MAXIMUM CARTON WIDTH
6"	8"
9"	13-1/2"
12"	18"
15"	22-1/2"
18"	25-1/2"

#### SHELFTRACK BED WIDTH GUIDE

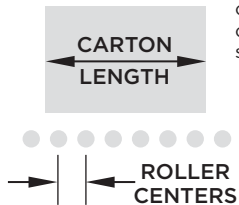
**ShelfTrack Bed Widths** are determined by the best track combination that fits within the width of the shelf. Example: for a 96" wide shelf, you can use (4) 18" wide beds & (2) 12" wide beds. This will create a 96" wide level of carton flow.



SHELFTRACK BED WIDTH	OAW	SERIES
12"	11.7"	98, 99
18"	17.7"	98, 99
12"	11.75"	100
15"	14.75"	100
18"	17.75"	100

#### ROLLER CENTER GUIDE

**Roller Centers** refers to the spacing of distance between rollers within the conveyor sections. As product increases with size, additional space can be added between rollers/wheels. Having closer roller centers will increase the conveying surface and make the system more flexible.

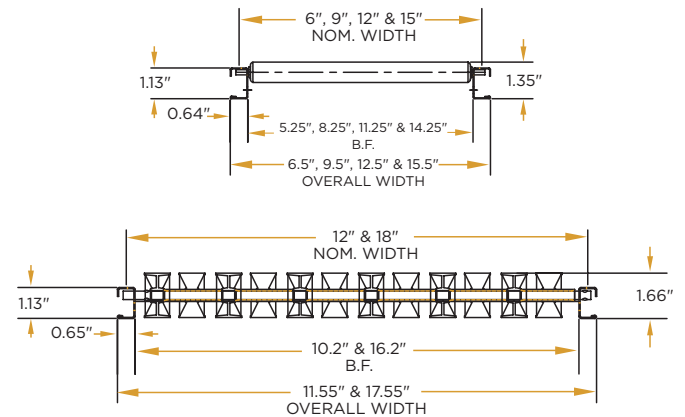


MINIMUM CARTON LENGTH	MAXIMUM ROLLER CENTER
4"	1"
8"	2"
12"	3"

#### PART NUMBER EXAMPLE - SHELFTRACK

<b>97</b>	<b>S2</b>	<b>R</b>	<b>6</b>	<b>2</b>	<b>x79</b>
SERIES	END STYLE	ROLLER TYPE	TRACK WIDTH	ROLLER CENTERS	LENGTH

#### 97 SERIES - SHELFTRACK



Pick **Smarter.**  
Pick **Better.**  
Pick **UNEX.**

**unex.com**



**UNEX MANUFACTURING, INC.**  
50 Progress Place, Jackson, NJ 08527

**800.695.SPAN (7726)**

732-928-2800 • fax: 732-928-2828 • e-mail: span@unex.com

